



DutchWest
Cast Iron Non-Catalytic Wood Stoves



High marks for the lowest
emissions in the industry



Medium Dutchwest
Non-catalytic Wood Stove

Dutchwest Wood Stoves



Convenient
side-loading

Excellent EPA rating is just a start

Dutchwest non-catalytic Wood Stoves earn high marks with the EPA for our outstanding emissions standards. In fact, we have among the lowest emissions in the wood stove industry with emissions of less than 1.5 grams/hour!

Combine that with classic styling, sturdy cast iron construction and remarkable state-of-the-art features and efficiency, and you've got a wood stove that can't be beat!

Three size models are available (small, medium and large) to suit any heating need. Large glass front doors allow for maximum viewing and two unique systems are available to spread heat throughout your home.



**Large Dutchwest
Non-catalytic Wood Stove**



The EVERBURN System

This system is designed to produce cleaner emissions and longer burn times, similar to a catalytic system. Gases produced from the burning of the wood are mixed with just the right amount of air to ensure they are burned completely, producing clean emissions and efficient warmth. The state-of-the-art design of our EVERBURN non-catalytic Combustion System enables our Dutchwest Cast Iron non-catalytic wood stove to burn more steadily and longer on a single load of wood compared to other non-catalytic stoves.

Dutchwest Advantages

- EVERBURN non-catalytic combustion system – A stable long burning non-catalytic combustion system with similar emissions to a catalytic woodstove, as low as 1.31 grams/hr.
- Durable refractory lined firebox provides a durable insulated burning environment for the non-catalytic combustion system while protecting the stove's cast iron parts.
- Front & side-loading – The stove's convenient loading features provide easy access when loading the stove. Permits the maximum volume wood load desired by serious wood burners.
- Leg levelers – Allows the stove to be leveled on uneven surfaces.
- Ash pan – Convenient ash disposal.
- "Fall away" handle – Cool to the touch "fall away" handles are easily stowed at the side of the stove.
- Ash lip – Large ash lip adds to the stove's cleanliness by catching ashes when using the front-loading door.
- Large glass – Large clean glass area.
- Top and rear reversible flue collar – The top and rear reversible flue collar design allows you to choose between the top and rear venting configurations.
- 100% outside air connection standard – An outside air connection with a 3-inch diameter equipment connection flange is standard with the stove. A 3-inch outside air kit is required to complete outside air installation. The 100% outside air connection ensures that all of the air necessary to support combustion in the stove is taken from outside the home. No room air is used to support the fire.
- Beautiful andirons. Besides their decorative appeal, they help contain wood load.

Optional Accessories:

- Fan kit with rheostat
- Side heat shield
- Flue collar heat shield
- Outside air termination kit



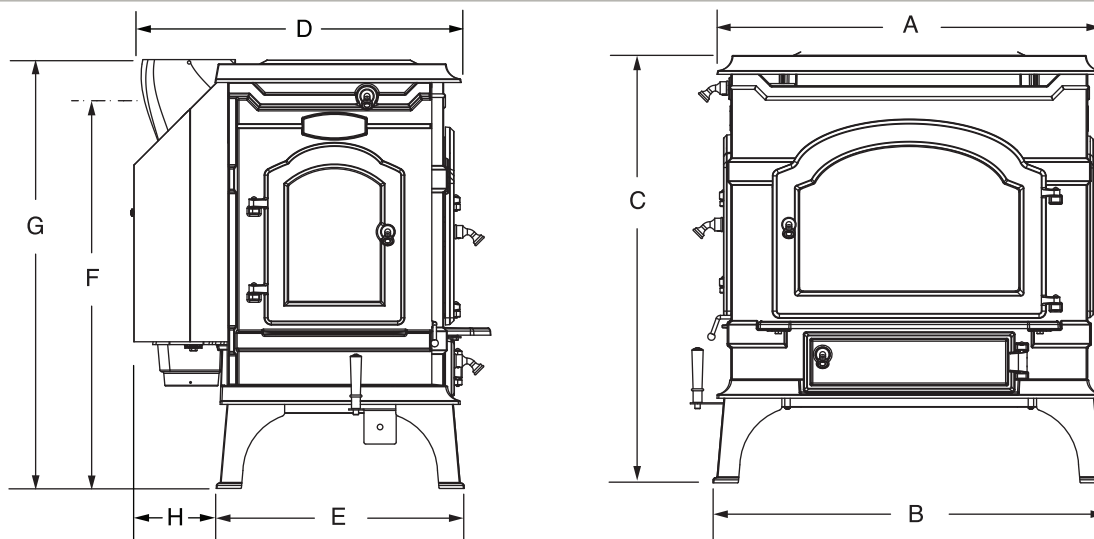
Dutchwest Cast Iron Non-Catalytic Wood Stoves

Models • 2477 • 2478 • 2479



Serious Stoves for Serious Wood

The Dutchwest Non-catalytic Wood Stove line combines classic styling and innovation with solid cast iron construction. Three size models are available (small, medium and large) to suit any heating need. Large glass front doors allow for maximum viewing, plus our unique heating systems for the smartest heat distribution ever.



MODEL	Small (2477)	Medium (2478)	Large (2479)
A	24" (610 mm)	26¾" (683 mm)	29¼" (743 mm)
B	24½" (622 mm)	27¼" (695 mm)	29¾" (756 mm)
C	29¾" (756 mm)	29¾" (756 mm)	32½" (826 mm)
D	23" (584 mm)	23" (584 mm)	24½" (622 mm)
E	17½" (445 mm)	17½" (445 mm)	19" (483 mm)
F	27" (686 mm)	27¼" (692 mm)	30¼" (768 mm)
CENTER OF FLUE COLLAR, REAR EXIT			
G	30½" (775 mm)	30½" (775 mm)	34" (864 mm)
H	5¾" (146 mm)	5¾" (146 mm)	5¾" (146 mm)

DUTCHWEST NON-CATALYTIC WOOD STOVES			
	DW Cast Small (2477)	DW Cast Medium (2478)	DW Cast Large (2479)
Maximum Heat Output	35,000 BTU's/hr.	40,000 BTU's/hr.	55,000 BTU's/hr.
Efficiency Rating	63%*	63%*	63%*
EPA Emissions Rating**	1.41 grams/hr.	1.49 grams/hr.	1.31 grams/hr.
Heating Capacity	700-1,400 sq. ft.	800-1,600 sq. ft.	1,000-2,400 sq. ft.
Wood Capacity # of lbs.	20-25 lbs.	25-30 lbs.	30-35 lbs.
Log Size (inches)	19"	20-22"	22-24"
Burn Time	Up to 8 hrs.	Up to 10 hrs.	Up to 14 hrs.
Flue Collar Size	6"	6"	6"
Bottom Heat Shield	YES	YES	YES

* Efficiency rating for these models is the EPA default figure
 ** Under specific conditions used during EPA emissions testing



ph: 1.800.525.1898
www.vermontcastings.com
www.majesticproducts.com

YOUR DEALER